

# Storage Pods

Finished Size: 5 ½" x 9 ½" x 5"  
(13.97cm x 24.13cm x 12.7cm)



## Supplies Needed

- 2 Fat Quarters — 18" x 21" (45.72cm x 53.34cm)
- 18" x 21" (45.72cm x 53.34cm) Cotton batting
- Coordinating thread
- Rotary cutter, mat, and acrylic ruler
- Basic sewing supplies
- Sewing machine
- Iron and pressing surface

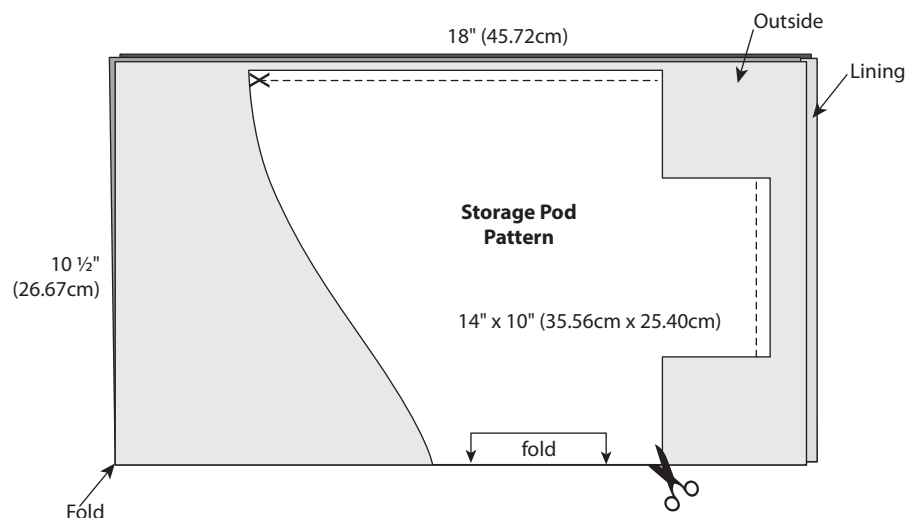
## Before You Begin

Read all instructions before beginning project. Do not prewash fabrics. Press fabrics with a dry iron on cotton setting before cutting. Use ¼" (6.35mm) seam allowance and sew fabrics with right sides together (RST) unless otherwise noted. Press seams in direction of arrows. wof = width of fabric.

Print Pattern at 100% scale. Check measurements after printing to ensure correct size. Cut out Storage Pod Pattern along outside lines.

## Cutting

1. Fold each Fat Quarter RST as shown. Layer the two Fat Quarters on top of each other with edges matching (or even) to cut both pieces at one time. Pin pattern to fabric matching fold with folded edge of fabric. Cut along outside line of pattern.
2. From remaining Lining fabric, cut out one rectangle 2 ¼" x 6" (5.72cm x 15.24cm) for Hanging Loop.
3. Use pattern to cut one piece of batting.

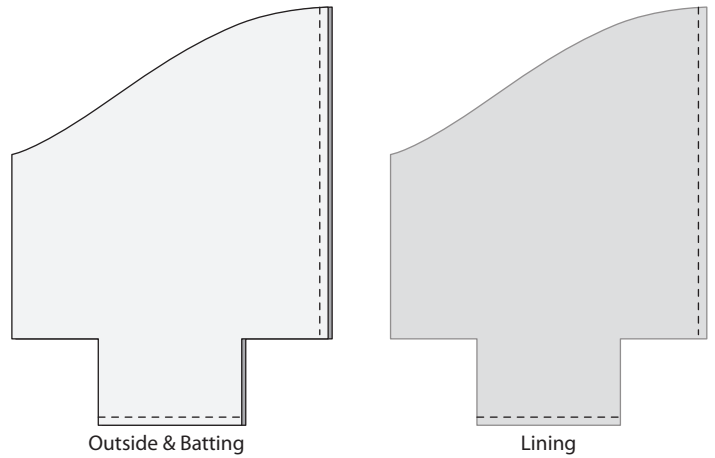


# Assembly

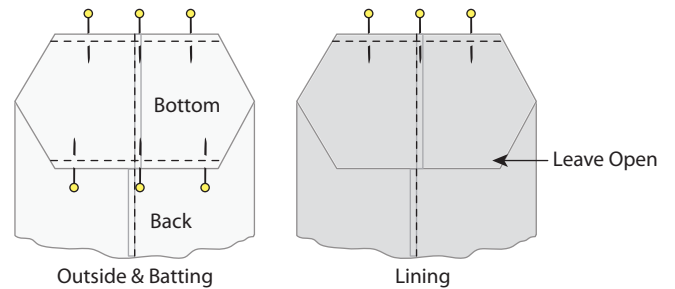
- Layer batting with the **wrong** side of the Outside fabric and align cut edges. Fold RST as shown.

**Tip:** Press the batting and fabric together. The little bit of static helps them stay together during sewing.

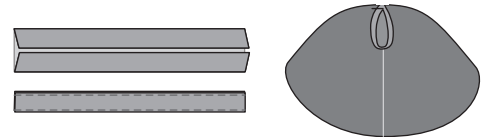
- Pin and sew the back and bottom seams RST for the Outside and press. Repeat for the Lining.



- Box both corners of the Outside bag. Open the bottom cut-out, align back and bottom seams, pin and stitch. Repeat for the other cut-out but align the center front and bottom seams; pin and stitch. Box one corner of the Lining leaving the front open for turning later.

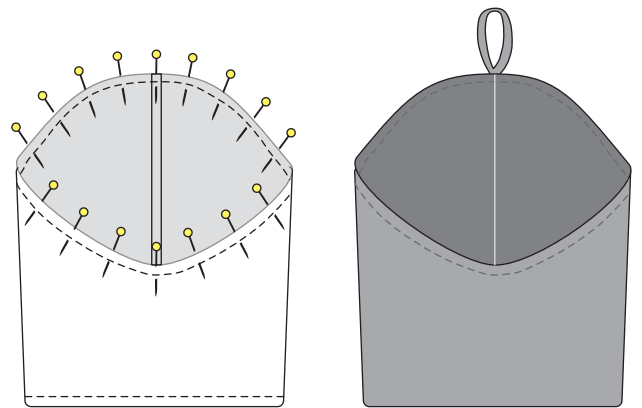


- Fold strip 2 1/4" x 6" (5.72cm x 15.24cm) in half lengthwise, **wrong** sides together, and press. Open and re-fold each side to the center and press. Fold as shown and topstitch along both long edges. Fold strips so ends meet to form a loop. Center loop over back seam of Lining. Align at top edge and baste.



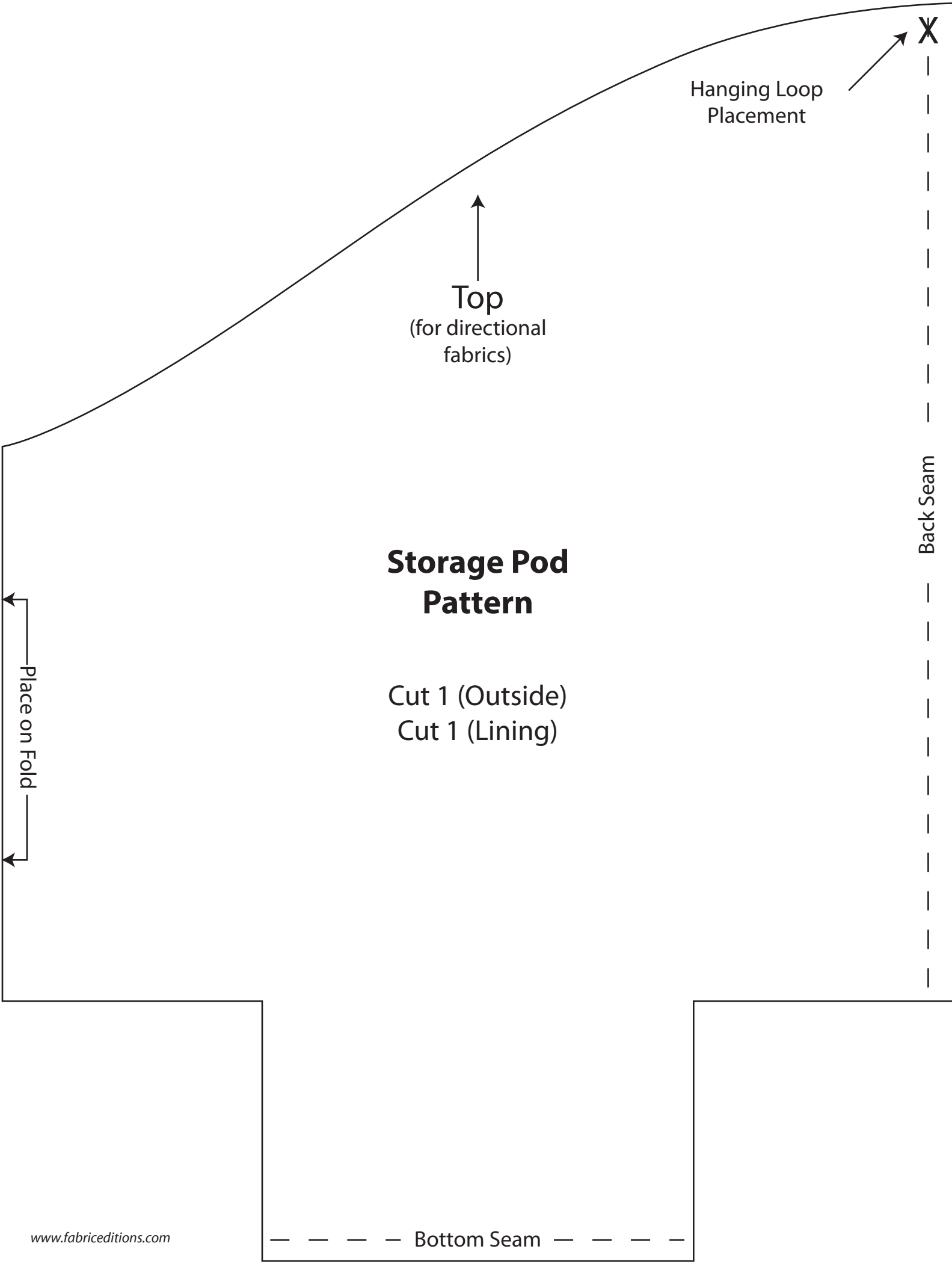
- Turn Lining right side out and insert RST into the Outside. Match back seams and cut edges; pin well. Sew around the top edge.

Turn right side out through opening in Lining. Push out bottom corners and Hanging Loop; press top edge. Topstitch around the top close to the edge. Handstitch opening closed on the Lining.



## Finished Care Instructions

Machine wash in cold water, with mild detergent on gentle cycle. Lay flat to dry or tumble dry low; press.



# Storage Pod Pattern

Cut 1 (Outside)  
Cut 1 (Lining)

Top  
(for directional fabrics)

Hanging Loop Placement

Back Seam

Bottom Seam